

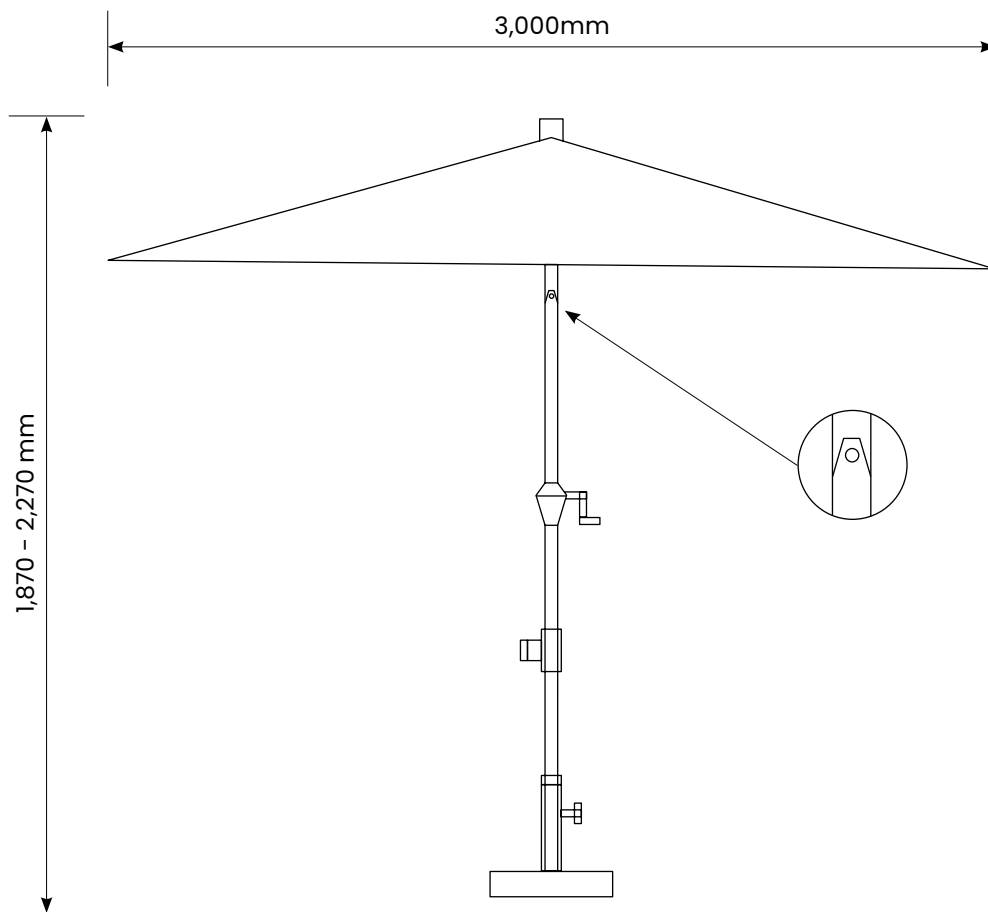
A photograph of a modern building courtyard. In the foreground, a black patio umbrella with a silver pole and base is tilted. To the left, there are concrete steps with a dark metal railing. In the background, there is a white building with large glass windows and a balcony with a glass railing. A swimming pool is visible in the bottom right corner. The sky is clear and blue.

DESIGN
CONCEPTS

MIAMI TILT

designconcepts.co.nz

Miami Tilt Centrepost Umbrella





Beautiful and sturdy

- Beautiful, sturdy, well constructed marine anodised aluminium centre post umbrella
- Simple commercial grade winder to open and tilt, very easy to operate
- 3m canopy diameter
- High wind rating to 70kph. The tilt function allows 60° Tilt
- Premium Sunbrella Fabric Canvas, with 5 year no fade warranty
- Adjustable height with super simple operation. Also the mast can be split for easier storage
- 30kg Granite base with wheels for easy movement is included
- You will not find a better, stronger, more affordable aluminium (non timber) centrepole umbrella



Keep in touch

0800 468 836

sales@designconcepts.co.nz

designconcepts.co.nz

72 Barrys Pt Rd, Takapuna, Akl



Discover the complete umbrella range at designconcepts.co.nz

